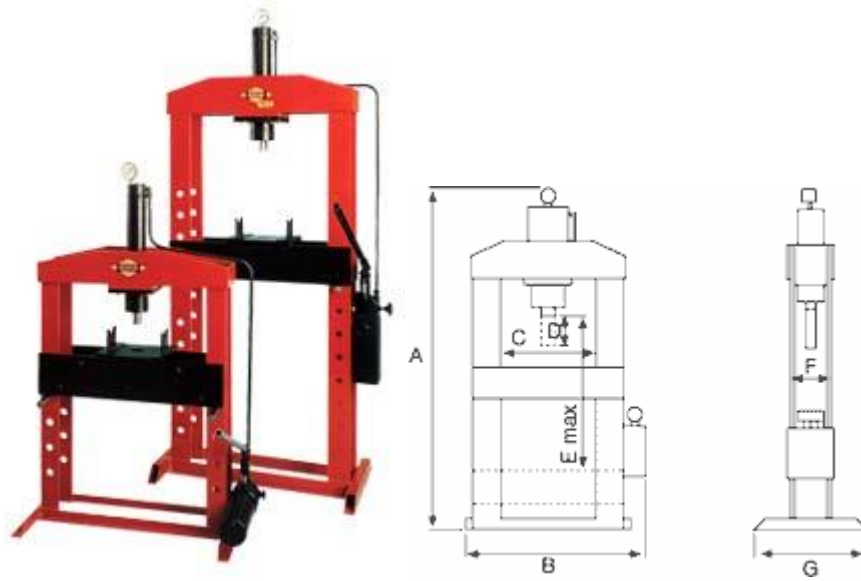


- Hydraulic Presses:-



TYPE	POWER								WEIGHT
Type	Power	A	B	C	D	lt	F	G	Weight
	TON.								Kg
10 B PI	10	1300	860	550	180	550	125	500	100
PI 10 N	10	1900	870	550	180	1100	125	500	115
IP 15	15	1950	930	570	180	1100	150	500	145
IP 20	20	2000	1000	620	180	1150	150	500	157
IP 30	30	2130	1200	700	200	1150	180	650	250
IP 50	50	2300	1300	800	200	1100	180	750	385
IP 70	70	2350	1350	920	200	1200	230	750	600
PI 100	100	2400	1530	1000	200	1280	270	850	865